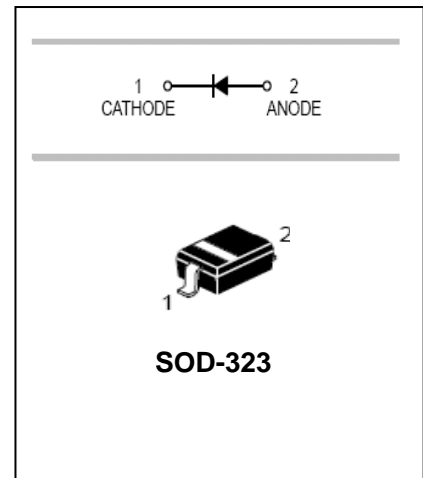


## Schottky Barrier Diode

### FEATURES

- High current rectifier schottky diode
- Low voltage; Low inductance
- For power supply



### APPLICATIONS

- High frequency rectification

### ORDERING INFORMATION

Type No.	Marking	Package Code
RB551V-30	D	SOD-323

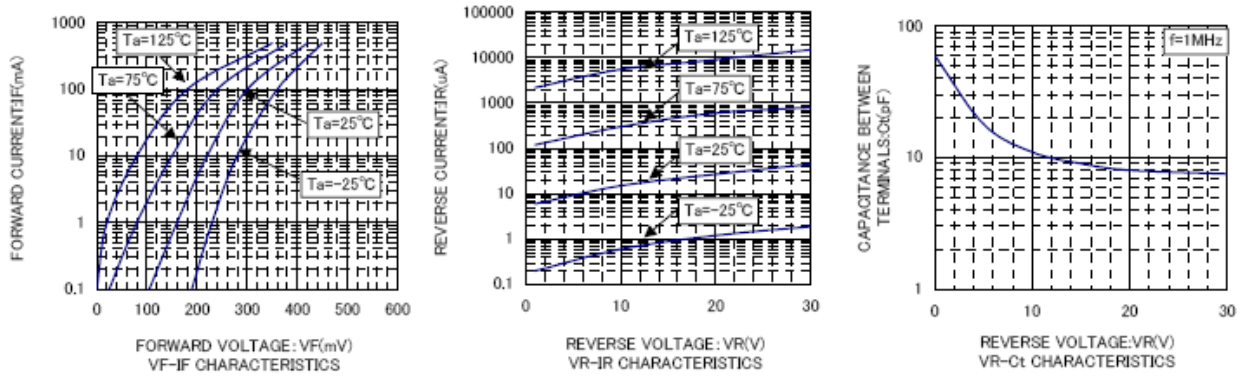
### MAXIMUM RATING @ Ta=25°C unless otherwise specified

Parameter	Symbol	Limits	Unit
Peak reverse voltage	$V_{RM}$	30	V
DC reverse voltage	$V_R$	20	V
Mean rectifying current	$I_O$	0.5	A
Peak forward surge current	$I_{FSM}$	2	A
Junction temperature	$T_j$	125	°C
Storage temperature	$T_{stg}$	-40 to +125	°C

### ELECTRICAL CHARACTERISTICS @ Ta=25°C unless otherwise specified

Parameter	Symbol	Min.	Typ.	Max.	Unit	Conditions
Forward voltage	$V_F$			0.36 0.47	V	$I_F=100mA$ $I_F=500mA$
Reverse current	$I_R$			100	μA	$V_R=20V$

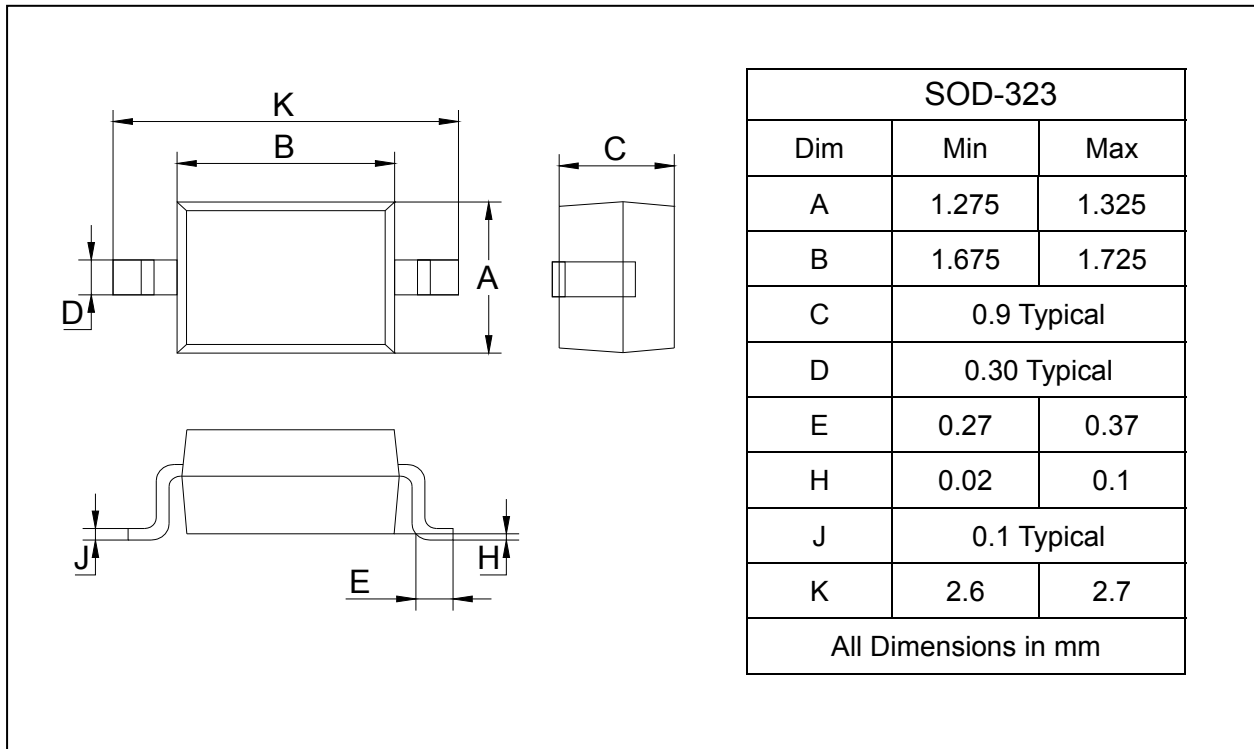
## TYPICAL CHARACTERISTICS @ Ta=25°C unless otherwise specified

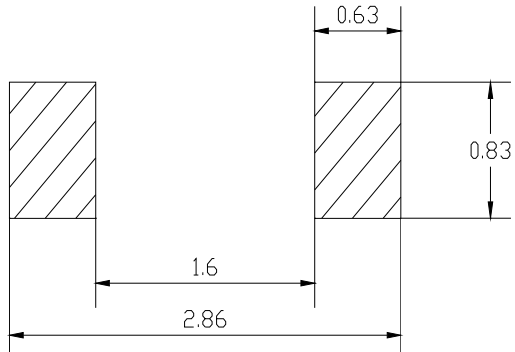


## PACKAGE OUTLINE

Plastic surface mounted package

SOD-323



**SOLDERING FOOTPRINT**

Unit : mm

**PACKAGE INFORMATION**

Device	Package	Shipping
RB551V-30	SOD-323	3000/Tape&Reel